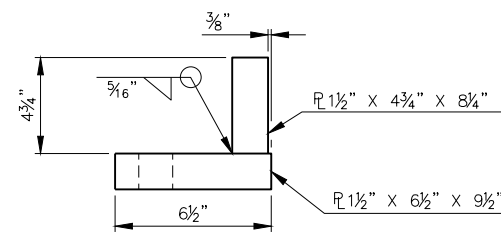
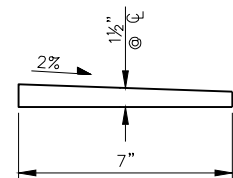


DESCRIPTION	REVISIONS	DATE

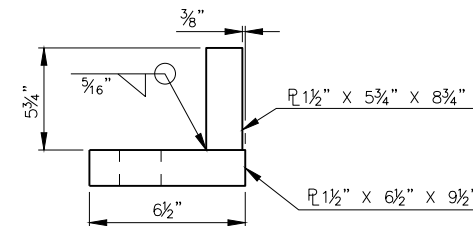


**BUILT-UP CONTACT ANGLE DETAIL**

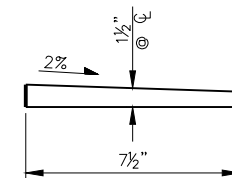


**BEVELED ANCHOR PLATE DETAIL**

NOTE:  
PAINT THICKEST EDGE RED.  
RED FACE OF BEVEL PLATES  
SHALL FACE UPSTATION TOWARD  
ABUTMENT NO. 2.

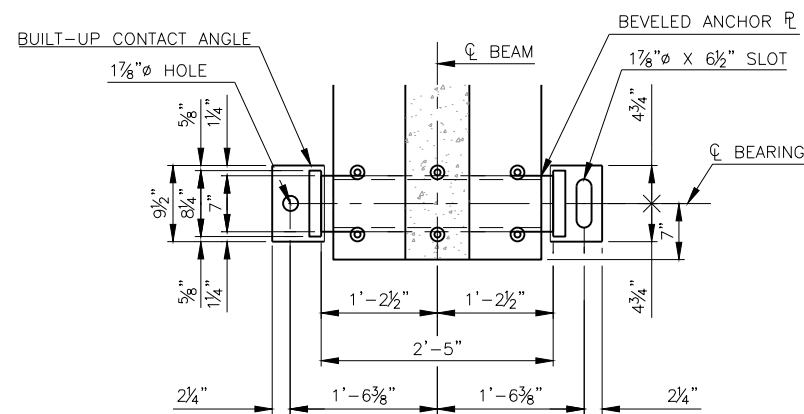


**BUILT-UP CONTACT ANGLE DETAIL**

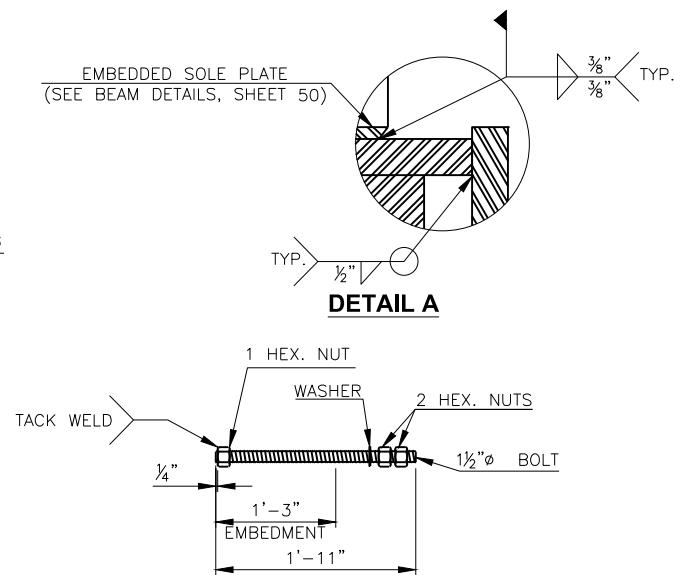


**BEVELED ANCHOR PLATE DETAIL**

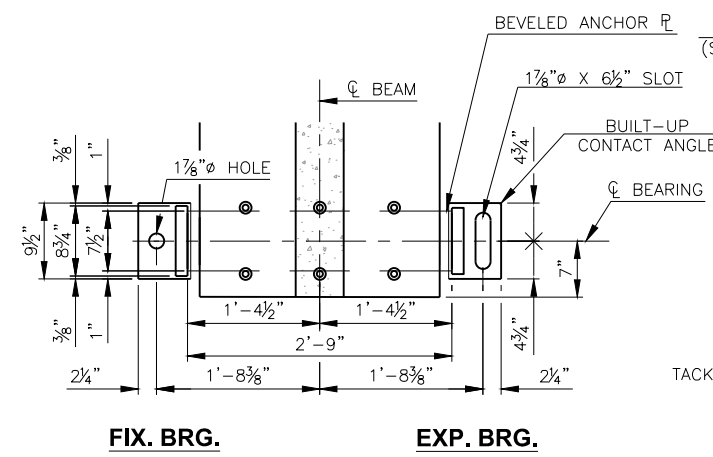
NOTE:  
PAINT THICKEST EDGE RED.  
RED FACE OF BEVEL PLATES  
SHALL FACE UPSTATION TOWARD  
ABUTMENT NO. 2.



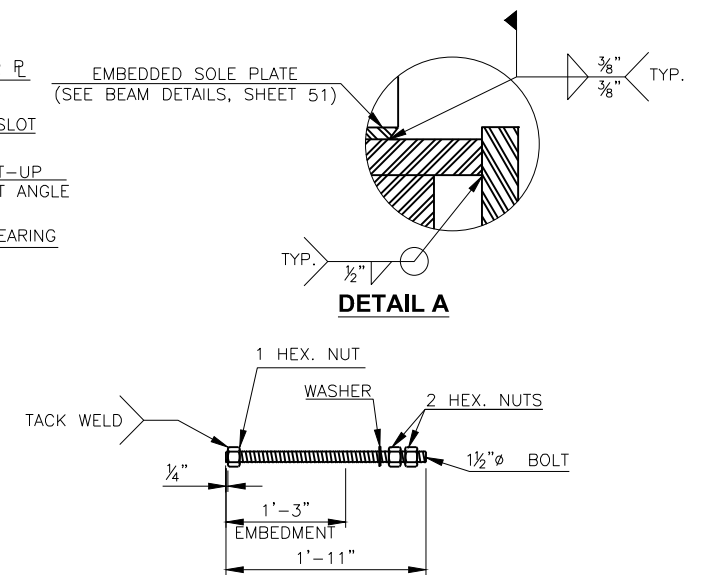
**BEARING PLAN**



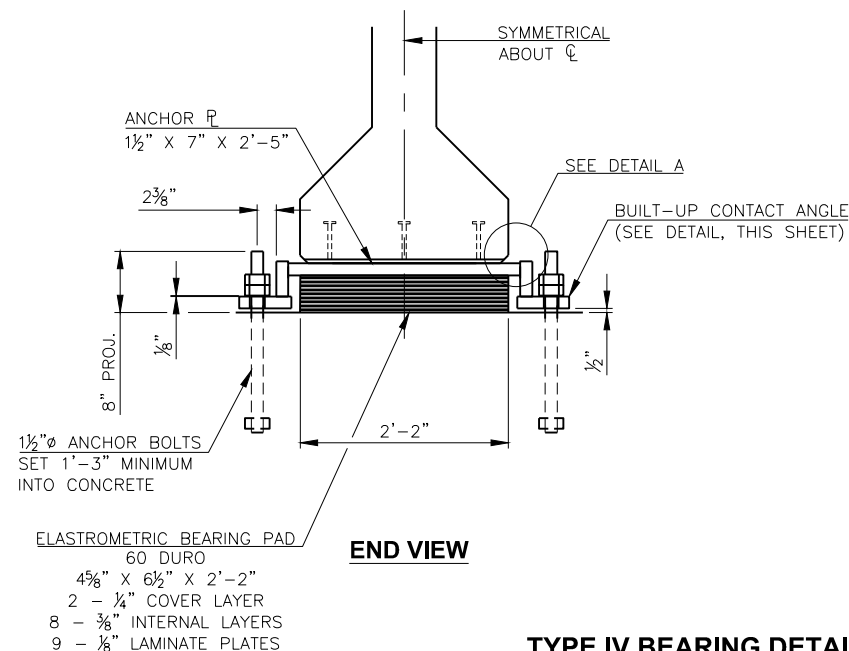
**ANCHOR BOLT DETAIL**



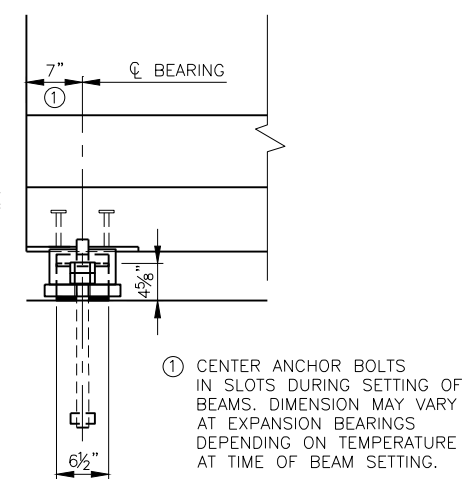
**BEARING PLAN**



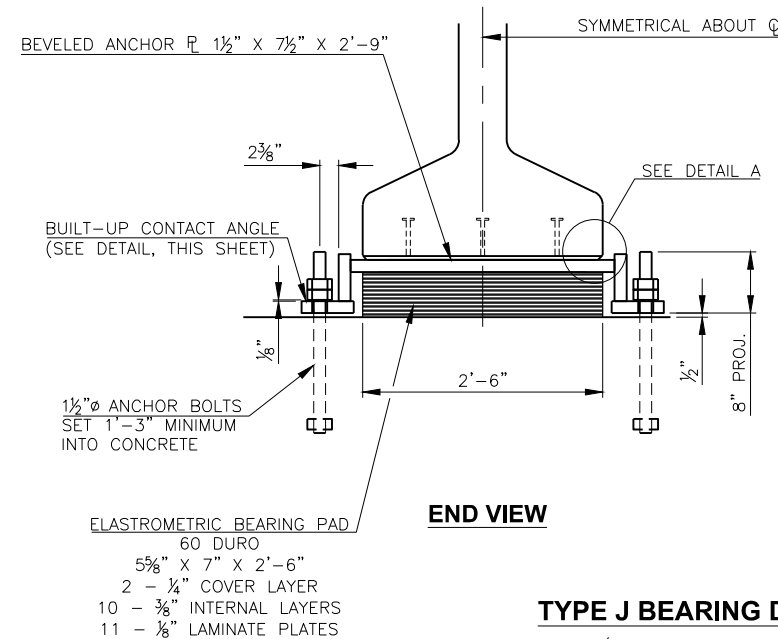
**ANCHOR BOLT DETAIL**



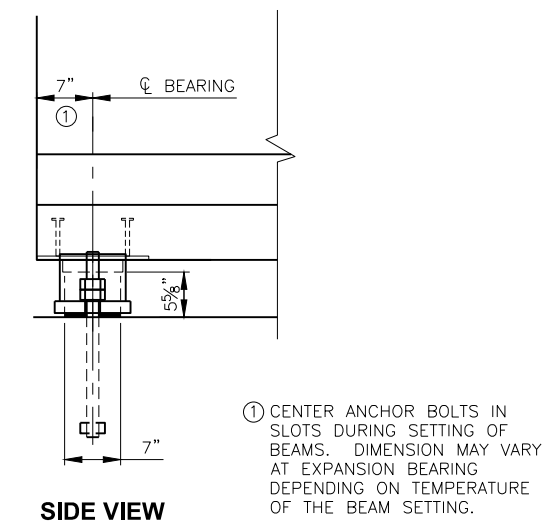
**TYPE IV BEARING DETAILS**  
(SPAN NO. 1 & NO. 2)



DO NOT BOND BEARING PAD TO THE ANCHOR PLATE.



**TYPE J BEARING DETAILS**  
(SPAN NO. 3 - NO. 7)



DESIGN	B.J.K.	SH-48 OVER CIMARRON RIVER	CREEK COUNTY
DRAWN	B.M.S.	<b>BEARING DETAILS</b>	
CHECKED	M.R.S.		
APPROV.	B.J.K.		
SQUAD	CEC		
JOB PIECE NO. 27925(04)			